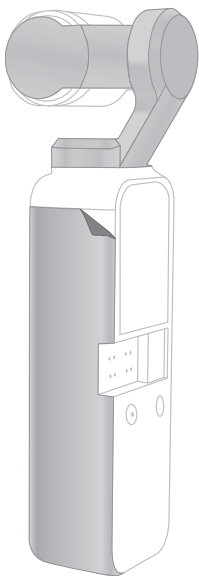


SKIN FOR OSMO POCKET



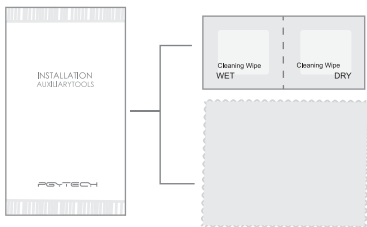
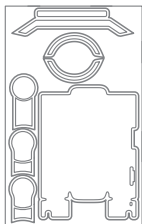
DARE
TO BE
DIFFERENT

PGYTECH

包装清单 In the BOX

OSMO POCKET贴纸 x 3, 说明书 x 1,
贴纸工具包 x 1(酒精擦拭包 x 1, 擦拭包 x 1)

Skin for OSMO POCKET x 3,
User Manual x 1,
Installation Auxiliary Tools x 1,
(Cleaning Wipe x 1, Micfiber Cloth x 1)

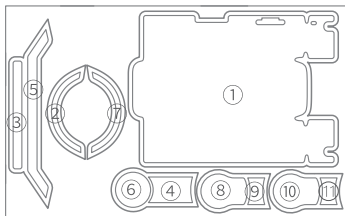
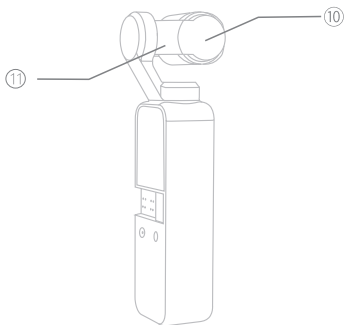
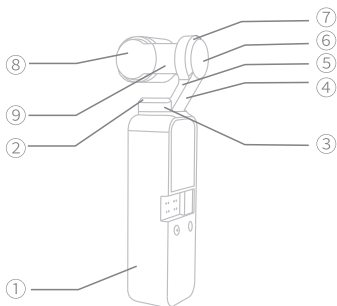


基本参数 Product Parameters

产品名称: OSMO POCKET贴纸
产品材质: 3M Scotchcal Film
产品型号: OSMO POCKET系列
印刷工艺: UV印刷

Name: Skin for OSMO POCKET
Metrical: 3M Scotchcal Film
Item Number: OSMO POCKET Series
Printing process: UV Print

安装示意图 Instruction



粘贴前请观看视频教程

Please look at the video tutorial first



注意：PGYTECH 系列贴纸采用可移除背胶，

请将粘贴面擦拭干净再贴（务必），贴好后用力按压30秒，
粘贴时环境温度低于25℃或者发现边缘有起翘时，
请使用电吹风热风档加热片刻后压实，
12小时后方可达到理想牢固度

NOTICE: PGYTECH series adopt removable glue,

Please clean the place where need pasting .

If the temperature below 25℃ or the glue not stronger enough ,
please heated it by blower to become stronger.

It takes 12 hours to become finally rigid.



Designed by PGYTECH
MADE IN CHINA
www.pgy-tech.com

